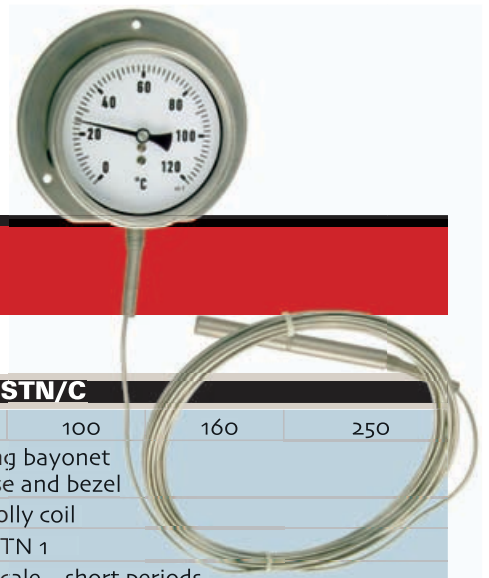


MARSH®

Capillary Thermometers



Description

Stainless steel inert gas industrial dial thermometer Model STN/C

According to BS EN 13190 Nominal sizes, 63, 100, 160 and 250 mm Accuracy: Class 1.6, (63mm) Class 1

Features

Rugged stainless steel case construction
Bayonet locking case and bezel
Protection to IP65
Usable at full scale
Chrome molly coiled element
Over-range protection 130% (max 800 deg C)

Ranges

From -200 to + 800 deg C.

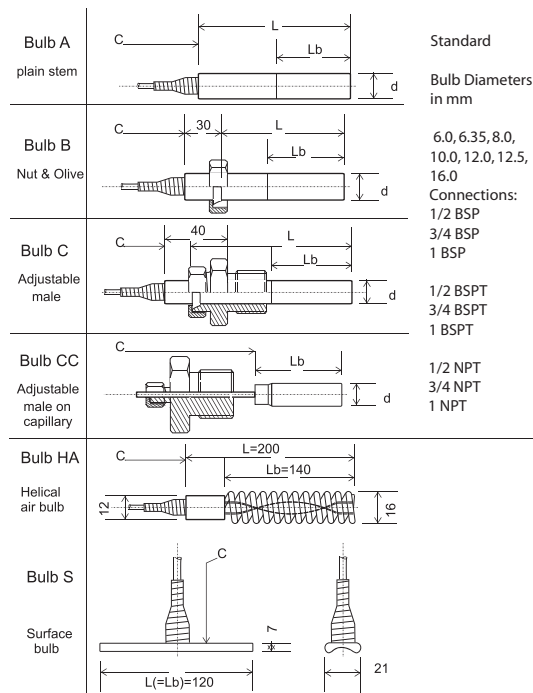
Applications

Heating and ventilation industry Machine and apparatus construction

Specifications:

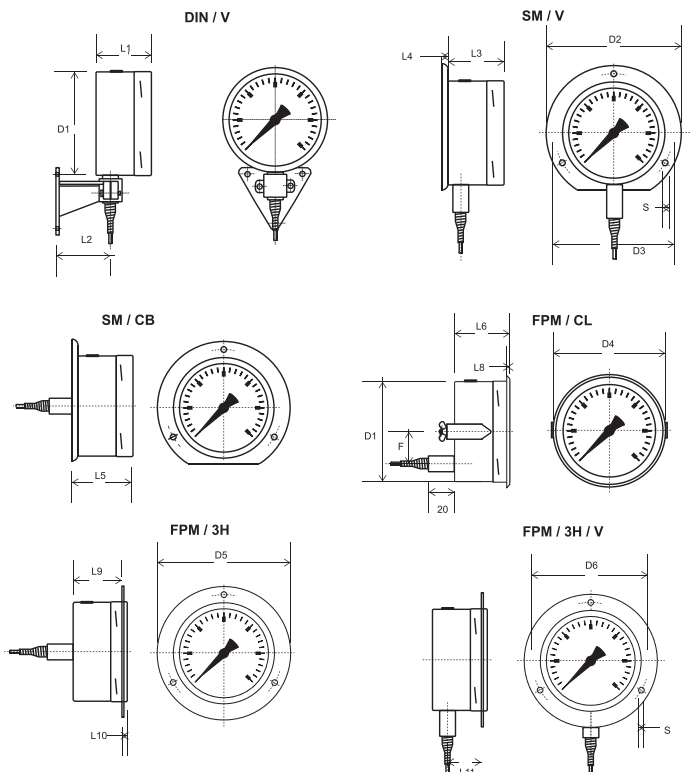
	STN/C			
Dial Size	63	100	160	250
Construction	Flush fitting bayonet locking case and bezel			
Measuring Element	Chrome molly coil			
Ranges {bar}	See table STN 1			
Over-range limit	130% full scale....short periods. (Max 800 deg C)			
Material Construction				
Stem / Bulb	321 Stainless steel, optional 316			
Stem / Bulb dia (mm)	6, 6.35, 8, 9.5, 10, 12, 12.5, 16			
Case / Bezel Ring	Stainless steel AISI 304L			
Window	Instrument glass, optional, laminated safety glass, acrylic glass			
Dial	Aluminium, black figures on white, optional, steel, other colours			
Pointer	Aluminium, black, optional, micro adjustment, steel			
Movement	Brass			
Accuracy	Class 1.6 (63mm) Class 1 (1% F.S..D.)...optional class 0.6 (0.6%)			
Permissible Ambient Temp.	Degree C			
Temperature Effect	+10, +30			
Protection	Max. 0.3% / 10 Deg C			
Filling Liquid	EN 60 529 IP65			
Mountings	Glycerine (GL) Silicone (SI)			
Weight dry / filled {kg}	0.8 / 1.0	1.4 / 2.3	1.9 / 2.6	2.3 / 4.2
Accessories	Panel 3 hole, Panel clamp, Surface, or DIN Clamp			
	Electrical contacts, index pointers, Fitting, Thermowell			

All specifications are subject to change without notice



	D	D1	D2	D3	D4	D5	D6	L1	L2	L3	L4	L5	L6
63													
100	99	101	132	118	107	132	118	52	52	58	5.5	82	49
160	159	161	192	178	167	192	178	52	52	58	5.5	82	49
250	250	253	289	276	265	289	276	55	55	58	3.0	84	51

For Panel Cut - Out Size, Add 3mm to Case Diameter (D1)



MARSH BELLOFRAM®
Group of Companies

9 Castle Park Queens Drive, Nottingham NG2 1AH England

Tel: (44) 115 993 3300 • Fax: (44) 115 993 3301 • e-mail: bellofram@aol.com • www.marshbellofram.com

LTUK09025