

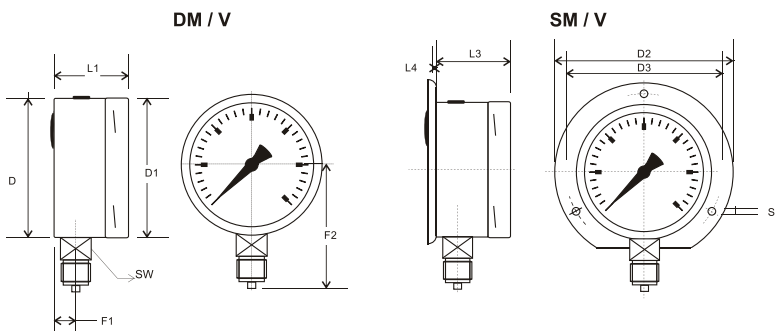


Process Gauges

Marsh instruments process gauges are manufactured for industrial use and are suitable for gaseous and liquid media that will not obstruct the pressure system. They are manufactured using a heavy duty 304 stainless cases and a bayonet lock bezel.

The instruments can be filled to dampen the effect of vibration and are suitable for use in various applications such as Petrochemical, Chemical, Food and Beverages.

Specifications	
Standards	Generally to EN 837-1
Case Size	100mm / 160mm and 250mm
Construction	Brass and Stainless internals
Entry	See Table
Connection	Bottom or Bottom Back
Range	See Table
Dial Standard	PSIG / BAR
Window	Glass Std - Acrylic available
Temp specs	- 40 + 60 degrees C
Accuracy	1 % Std 0.60% available



	DM/V, SM/V										
	D	D1	D2	D3	L1	L3	L4	F1	F2	S1	SW
63											
100	99	101	132	118	52	58	5.5	15	90	5.5	22
160	159	161	192	178	52	58	5.5	15	119	6	22
250	250	253	289	276	55	58	3.0	16	164	6.5	22

- 100/160/250mm Available
- Heavy duty with Bayonet Lock Bezel
- Dry or Filled
- Ranges Vacuum to 1000 BAR Available

Process Gauges	
↑	Construction
<b>33</b>	All ST/ST
<b>93</b>	Brass
<b>99</b>	Steel
<b>38</b>	All ST/ST F. S. P.
	Mounting
<b>1</b>	Bottom
<b>4</b>	Surface
<b>6</b>	Back
<b>8</b>	3 Hole Pane Mtg.
	Connection Size
<b>E</b>	3/8" BSP
<b>G</b>	1/2" BSP
<b>J</b>	1/2" NPT
<b>P</b>	3/8" NPT
	Range PSI / BAR
<b>00</b>	Special Range
<b>01</b>	Vacuum
<b>18</b>	15 PSI / 1 BAR
<b>20</b>	30 PSI / 2 BAR
<b>21</b>	60 PSI / 4 BAR
<b>22</b>	100 PSI / 7 BAR
<b>23</b>	160 PSI / 11 BAR
<b>24</b>	200 PSI / 14 BAR
<b>25</b>	300 PSI / 20 BAR
<b>26</b>	400 PSI / 27 BAR
<b>27</b>	600 PSI / 40 BAR
<b>28</b>	800 PSI / 55 BAR
<b>29</b>	1000 PSI / 70 BAR
<b>30</b>	1500 PSI / 100 BAR
<b>31</b>	2000 PSI / 140 BAR
<b>32</b>	3000 PSI / 200 BAR
<b>33</b>	4000 PSI / 275 BAR
<b>34</b>	5000 PSI / 344 BAR
<b>35</b>	6000 PSI / 413 BAR
<b>36</b>	10,000 PSI / 690 BAR
	Case Diameter
<b>H</b>	80 mm / 3"
<b>J</b>	100 mm / 4"
<b>K</b>	160 mm / 6"
	Special Requirements
<b>P</b>	Glycerine Filled

Some configurations may not be possible, please consult factory.