

63mm FSP Gauges



63mm FSP Gauges

Marsh full safety pattern gauges are manufactured generally to BS -EN837-1 (S3). Manufactured with 316 wetted parts these instruments can be supplied dry or filled with either glycerine or silicone.

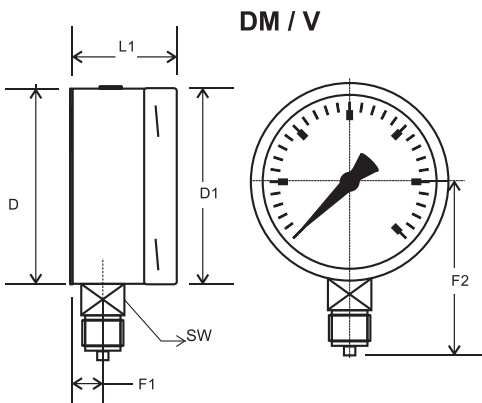
All options can be supplied with dials printed to customer requirements. Typically used in applications where increased safety is required and on gaseous and liquid media that are not viscous or crystallizing .

- Solid Baffle Wall
- Laminated Safety Glass Window
- All Stainless Steel Construction
- BSP and NPT Connections

Specifications	
Standards	Generally to EN837-1
Case Size	63 mm
Construction	304 ST/ST Case - 316 Wetted Parts
Entry	Bottom
Connection	See Table
Range	See Table
Dial Standard	PSI / BAR Dual Scale
Accuracy	1 - 60 %
Window	Safety
Fill medium	See Option
Temp specs	-40 +60 ° C Dry -20 +60 ° C Filled
Vent	Blow Out Back

63mm FSP Gauges

38						Construction All ST / ST
	1					Mounting Bottom
		A				Connection Size 1/4 BSPP
		D				1/4 NPT
						Range PSI / BAR
			20			30
			21			60
			22			100
			23			160
			24			200
			25			300
			26			400
			27			600
			29			1000
			30			1500
			31			2000
			32			3000
			33			4000
			34			5000
			35			6000
			36			10,000
						Case Diameter
		E				63 mm
						Special Requirements
		P				Filling
		I				Special Dial



	D	D1	F2	L1	SW
63	63	63.5	59	40	14

Some configurations may not be possible, please consult factory.