

MARSH®

Pneumatic Gauges



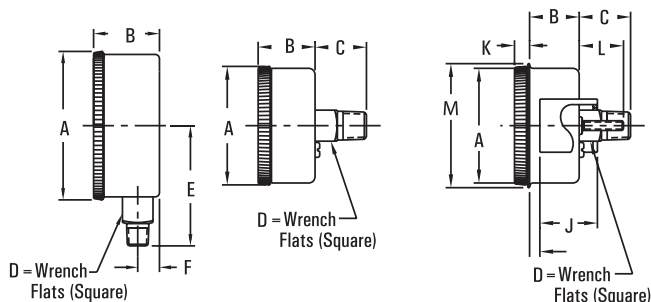
Pneumatic Gauges

Marsh Instruments Pneumatic gauges are designed for industrial use and are suitable for gaseous and liquid media that will not obstruct the pressure system or attack the brass/bronze internals they are ideal for use in hydraulic and pneumatic systems where there is no vibration evident.

Typical applications include FRL's, Regulators, Compressors, Pumps and Water Systems

Specifications

| | |
|-------------------|--|
| Standards | Generally to En 837-1 |
| Case Size | 40mm / 50mm and 63mm |
| Construction | Brass internals see Table for case options |
| Entry | Bottom, Center Back |
| Connection | See Table |
| Range | See Table |
| Dial Standard | PSI / BAR Dual Scale options are available |
| Non Standard Dial | Options are available |
| Window | Push in Clear Acrylic |
| Temp specs | - 40 + 60 °C |
| Accuracy | 2.50 % |



| Dial Size | A | B | C | D | E | F | J | K | L | M |
|-----------|----|----|----|----|----|---|----|-----|----|----|
| 40mm | 40 | 26 | 18 | 11 | 38 | 7 | 26 | 5.5 | 16 | 47 |
| 50mm | 50 | 29 | 21 | 14 | 50 | 9 | 30 | 5.5 | 22 | 57 |
| 63mm | 63 | 30 | 25 | 14 | 55 | 9 | 32 | 5.5 | 22 | 70 |

- 40mm / 50mm / 63mm Available
- Dual Scale
- BSP-BSPT-NPT Connection

Pneumatic Gauges

| ↑ | ↑ | ↑ | ↑ | ↑ | ↑ | | Construction |
|------------|---|---|---|---|---|--|---|
| 33 | | | | | | | All ST/ST |
| 93 | | | | | | | ST / ST |
| 99 | | | | | | | Steel |
| | | | | | | | Mounting |
| 1 | | | | | | | Bottom |
| 6 | | | | | | | Back |
| 8 | | | | | | | U Clamp |
| | | | | | | | Connection Size |
| A | | | | | | | 1/4" BSP |
| D | | | | | | | 1/4" NPT |
| K | | | | | | | 1/8" BSPT |
| W | | | | | | | 1/8" BSP |
| Z | | | | | | | 1/8" NPT |
| L | | | | | | | 1/4" BSPT |
| | | | | | | | Range PSI / BAR |
| | | | | | | | Special Range (High Pressure Available) |
| 00 | | | | | | | Vacuum |
| 18 | | | | | | | 15 PSI / 1 BAR |
| 20 | | | | | | | 30 PSI / 2 BAR |
| 21 | | | | | | | 60 PSI / 4 BAR |
| 22 | | | | | | | 100 PSI / 7 BAR |
| 23 | | | | | | | 160 PSI / 11 BAR |
| 24 | | | | | | | 200 PSI / 14 BAR |
| 25 | | | | | | | 300 PSI / 20 BAR |
| | | | | | | | Case Diameter |
| C | | | | | | | 40 mm / 1.5" |
| D | | | | | | | 50 mm / 2" |
| E | | | | | | | 63 mm / 2.5" |
| | | | | | | | Special Requirements |
| G | | | | | | | Glass Window |
| R | | | | | | | Restrictor Fitted |
| RP | | | | | | | Red Pointers |
| 1 | | | | | | | Special dial and logo |
| BCL | | | | | | | Bright Bezel |

Some configurations may not be possible, please consult factory.



9 Castle Park Queens Drive, Nottingham NG2 1AH England
 Tel: (44) 115 993 3300 e-mail: bellofram@aol.com
 Fax: (44) 115 993 3301 www.marshbellofram.com