

MARSH®

Liquid Filled Gauges



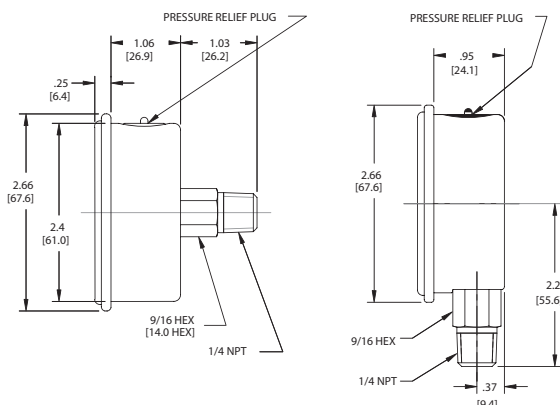
63 mm Liquid Filled Gauges

Marsh Instruments Liquid Filled Gauges are designed to perform in rugged applications and harsh environmental conditions - especially where pulsation and vibration are a problem. Liquid Filled Gauges offer a significant cushioning and dampening effect, reducing pointer flutter and internal gauge damage; also lubricating the internals, and reducing corrosion. All stainless steel Liquid Filled Gauges feature a ventable top fill plug for pressure relief and ease of venting after installation. The hermetically sealed construction reduces the chance of leaks, and makes field filling an easy option.

Typical applications include refineries, chemical plants, offshore platforms, oil rigs, marine applications, general industrial application and OEM processes.

- Brass or Stainless Steel Internals
- Ranges to 10,000 PSI
- Glycerine filled for dampening

Specifications	
Standards	EN837-1
Case Size	63MM
Construction	304 ST/ST Case with Brass or ST/ST Internals
Entry	Bottom or Back or U Clamp
Connection	NPT-BSPP-BSPT-1/8-1/4-3/8-1/2
Range	from Vac to 15000 Psi
Dial Standard	PSI / BAR
Accuracy	CI 1.6
Window	Acrylic - Safety Glass as an option
Fill medium	Glycerine , Silicone as an option
Temp specs	0 TO 60 deg C Standard
Vent	Filler plug / blow out vent



63 mm Liquid Filled Gauges

↑	↑	↑	↑	Case
J				ST/ST
				Mounting
	76			Brass Bottom
	64			Brass Back
	72			Brass Panel Mount
	78			All ST/ST Bottom
	66			All ST/ST Back
	74			All ST/ST Panel
				Ranges
	05			30 " Vacuum
	40			15 PSI / 1 BAR
	42			30 PSI / 2 BAR
	46			60 PSI / 4 BAR
	48			100 PSI / 7 BAR
	52			160 PSI / 11 BAR
	54			200 PSI / 14 BAR
	58			300 PSI / 20 BAR
	60			400 PSI / 27 BAR
	64			600 PSI / 40 BAR
	72			1000 PSI / 70 BAR
	74			1500 PSI / 100 BAR
	76			2000 PSI / 140 BAR
	78			3000 PSI / 200 BAR
	80			4000 PSI / 275 BAR
	82			5000 PSI / 344 BAR
	84			6000 PSI / 413 BAR
	90			10,000 PSI / 690 BAR
				Connection & Options
	PM/999			Brass, any connection
	P/NPT			All ST/ST in NPT Filled
	P/BSP			All ST/ST in BSP Filled
	SG			Safety Glass
	RP			Red Pointer
	RC			Rubber Cover
	001			Speical dial / range

Some configurations may not be possible, please consult factory.

MARSH BELLOFRAM®
Group of Companies

9 Castle Park Queens Drive, Nottingham NG2 1AH England
Tel: (44) 115 993 3300 e-mail: bellofram@aol.com
Fax: (44) 115 993 3301 www.marshbellofram.com