

MARSH®

Capsule Differentials Gauges



Description

Stainless steel case low range capsule gauge Models SSC / CAP/DIF ST / CAP/DIF

According to DIN EN 837-3 Nominal sizes, 63, 100 and 160 mm Accuracy: Class 1,6

Features

- Rugged stainless steel case construction
- Bayonet locking case and bezel
- Protection to IP65
- Usable at full scale
- Beryllium or stainless steel capsule
- Over-range protection 130%

Ranges

0 - 10 mbar. up to 0...600mbar 0 - 4 N.WG. up to 0...250 IN..WG.

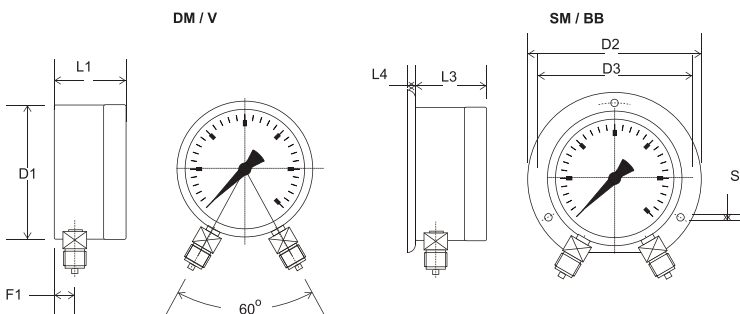
Applications

Petrochemical and chemical Pressure drops across filters Gas industry Machine and apparatus construction

Specifications:	SSC / CAP / DIF	ST / CAP / DIF
Dial Size	63	100
Construction	Flush fitting bayonet locking case and bezel.	
Measuring Element	Capsule	
Ranges (m bar)	0 -10. 16. 25. 40. 60. 100. 160. 250. 400. 600. In either pressure or vacuum.	
Over-range limit	Beryllium copper, 130% short period 316 stainless steel 115% short period	
Process Connection	1/4bsp, 3/8bsp, 1/2 bsp according to EN 837 1/4npt, 1/2 npt according to ANSI/ASME B1.20.1	
Material Construction		
Process Connection	Brass	316 SS
Capsule	6, 8, 10, 12 mm. 1/4, 3/8, 1/2 in max length. 800mm	
Case / Bezel Ring	Stainless steel AISI 316L	
Window	Instrument glass, optional, laminated safety glass, acrylic glass	
Dial	Aluminium, black figures on white, optional, steel, other colours	
Pointer	Aluminium, black, optional, micro adjustment, steel	
Movement	Direct drive on back entry. Copper flat wire spring on bottom entry	
Accuracy	Class 1 (1% F.S.D.)	
Permissible	Degree C	
Ambient Temperature	+10, +30	
Temperature Effect	Max... 0,3% / 10 Deg C	
Protection	EN 60 529 IP65	
Filling Liquid	Silicone (SI)	
Mountings	Direct bottom, direct centre back	
Weight dry / filled {kg}	0.8 / 1.0	1.4 / 2.3
Accessories	Index pointers, Fitting, Thermowell	

All specifications are subject to change without notice

General dimensions



	D1	D2	D3	D4	D5	D6	L1	L2	L3	L4	L5	L6
63												
100	101	132	118	107	118	132	52	52	58	5.5	85	49
160	161	192	178	167	178	192	52	52	58	5.5	82	49
250	251	289	276	265	276	285	55	55	58	3	84	51

	L7	L8	L9	L10	L11	L12	F1	F2	F3	F4	S1	S2	SW
63													
100	40	4	47	6	47	30	15	90	40	32	6	6	22
160	40	4	47	6	47	30	15	119	40	32	6	6	22
250	40	7	49	6	49	31	16	164	40	32	7	7	22

MARSH BELLOFRAM®
Group of Companies

9 Castle Park Queens Drive, Nottingham NG2 1AH England

Tel: (44) 115 993 3300 • Fax: (44) 115 993 3301 • e-mail: bellofram@aol.com • www.marshbellofram.com

LTUK09016