

SHUT OFF VALVE

Series GS2

Cat No GS2 - 01 - 01

SHUT OFF VALVE - G1/4, G3/8, G1/2

Features

- ❑ Connecting thread at both ends
- ❑ Connection - G1/4, G3/8, G1/2
- ❑ Modular mounting with FRL

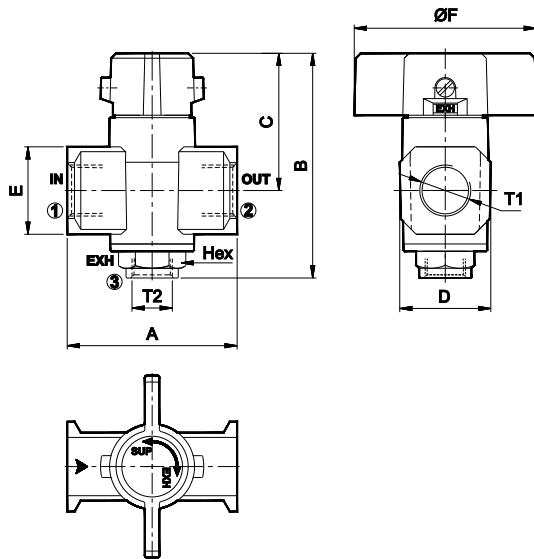
Function

- a. Opening and closing of airline with relieving of the down stream pressure.
- b. A window display to show the valve position when the valve is On condition (or) Exhaust condition.

Technical Specifications

Model	GS245H61/MB	GS246H62/MB	GS247H63/MB	
Port size	G1/4	G3/8	G1/2	
Type	3/2			
Operating pressure range	0 - 10 bar			
Ambient Temperature	5° - 60° C			
Flow [@] (lpm)	1 → 2	1000	2200	3250
	2 → 3	450	1100	1600
Materials of construction	Aluminium, Brass, Nitrile			

@ Inlet pressure 6 bar, and pressure drop 1 bar

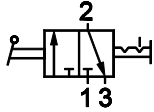


Sl. No	Ordering No.	T1	T2	Hex	A	B	C	D	E	ØF
1	GS245H61/MB	G1/4	G1/8	17	45	73	43	28.5	22	40
2	GS246H62/MB	G3/8	G1/4	19	55	85	52	32.5	28	55
3	GS247H63/MB	G1/2	G3/8	24	70	94	56.5	37.5	36	75

How to Order

While ordering Shut off valve, mention the ordering number given in the corresponding tables.

Subject to change



SHUT OFF VALVE LOCKABLE

Series GS2

Cat No GS2 - 01 - 02

SHUT OFF VALVE LOCKABLE - G1/4, G3/8, G1/2

Features

- Modular mounting with FRL
- Port thread at both ends
- Sizes - G1/4, G3/8 & G1/2
- Window display to show the valve position
(i.e.) the valve is in On condition or Off condition

Function

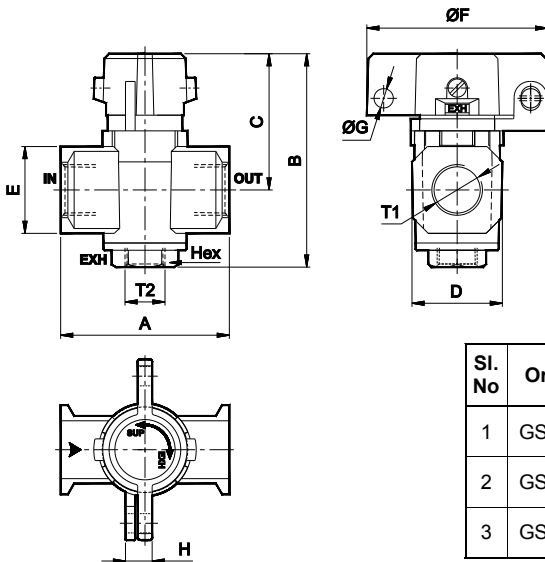
1. Opening and closing of airline with relieving of down stream pressure at closed condition.
2. The valve can be locked at the closing condition (Exhaust 2 → 3)

Technical Specifications

Model	GS245L61/MB	GS246L62/MB	GS247L63/MB	
Port size	G1/4	G3/8	G1/2	
Type	3/2			
Operating pressure range	0 - 10 bar			
Ambient Temperature	5° - 60° C			
Flow ® (lpm)	1 → 2	1000	2200	3250
	2 → 3	450	1100	1600
Materials of construction	Aluminium, Brass, Nitrile			

® Inlet pressure 6 bar, and pressure drop 1 bar

- Note : 1. While connecting the valve check the direction of the air flow as per ►
2. 'Lock' - Not in the scope of supply.



Sl. No	Ordering No.	T1	T2	Hex	A	B	C	D	E	ØF	ØG	H
1	GS245L61/MB	G1/4	G1/8	17	45	73	43	28.5	22	40	3.5	8
2	GS246L62/MB	G3/8	G1/4	19	55	85	52	32.5	28	55	6	11
3	GS247L63/MB	G1/2	G3/8	24	70	94	56.5	37.5	36	75	8	11.5

How to Order

While ordering Shut off valve lockable, mention the ordering number given in the corresponding tables.

Subject to change