

## AIR PREPARATION UNITS

### FILTER WITH INTERNAL AUTODRAIN - Series F1A

Cat No F1A - 01 - C

#### AIR FILTER with Internal Autodrain - 3/8, 1/2, 3/4, 1"

#### Features

- Suitable for Modular mounting
- Steel bowl guard, bayonet type.
- Internal Autodrain - Float type, no electrical connections required
  - Provided with manual drain
  - Provision for drain tube connection, to take the condensate away from the unit, to keep the working area clean.
- Bronze filtering element.
- Separator and shield for efficient moisture separation.

#### Technical Specifications

Model	F14....A	F15....A	F17....A	F17....A
Medium	Compressed air			
Port size	G3/8	G1/2	G3/4	G1
Flow rate (lts / min) <sup>@</sup>	2250	3500	5000	6500
Operating pressure (bar)	2 - 10		10	
Ambient / Medium temperature	5° - 50° C			
Filtration # (µm)	1, 5, 25, 40 (Standard), 50, 100			
Bowl capacity (ml) (at maximum condensate level)	35	65	165	165
Bowl material	Polycarbonate			
Installation	Vertical (as in the picture)			
Materials of construction	Aluminium, Bronze, Steel, Acetal, Polycarbonate, SS, Nitrile			
Optional accessories *	Clamp, Modular mounting kit, Pressure gauge			
Weight (Kg)	0.49	0.86	1.4	1.3

<sup>@</sup> Supply pressure 6 bar , Pressure drop  $\Delta p = 0.3$  bar

<sup>#</sup> For details see " How to order "

<sup>\*</sup> For details refer optional accessories Cat No APA - 01 - C

#### Precautions

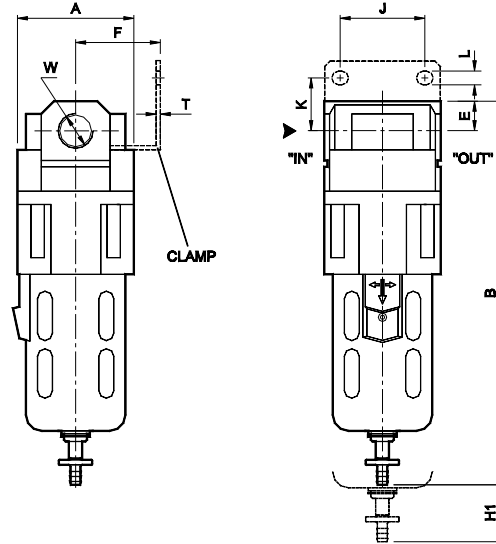
1. Note the direction of flow before installation and connect piping accordingly.
2. Flush pipings for dirt, dust, rust and other foreign particles.
3. Install in clean atmosphere.
4. Nipples of taper threads ( R ) to be used with teflon tape. Ensure teflon tape does not enter the unit during tightening.  
Nipples of straight threads ( G ) to be used with sealing washer.
5. Polycarbonate bowls may get damaged and possibly fail if exposed to synthetic oils, thinner, solvents, trichloroethylene, kerosene or other aromatic hydrocarbons.

## AIR PREPARATION UNITS

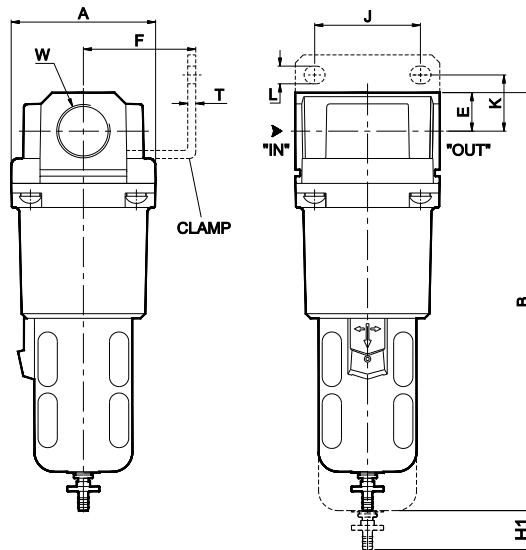
### FILTER WITH INTERNAL AUTODRAIN - Series F1A

Cat No F1A - 01 - C

Model F14...A, F15...A



Model F17...A



Model	W	A	B	E	K	F	J	L	T	H1
F14...A	G3/8	SQ 55	193	14	25	40	40	6.5	2	55
F15...A	G1/2	SQ 70	230	18	25	50	55	8.5	2	80
F17...A	G3/4	SQ 90	260	24	35	70	66	11	5	80
F17...A	G1	SQ 90	260	24	35	70	66	11	5	80

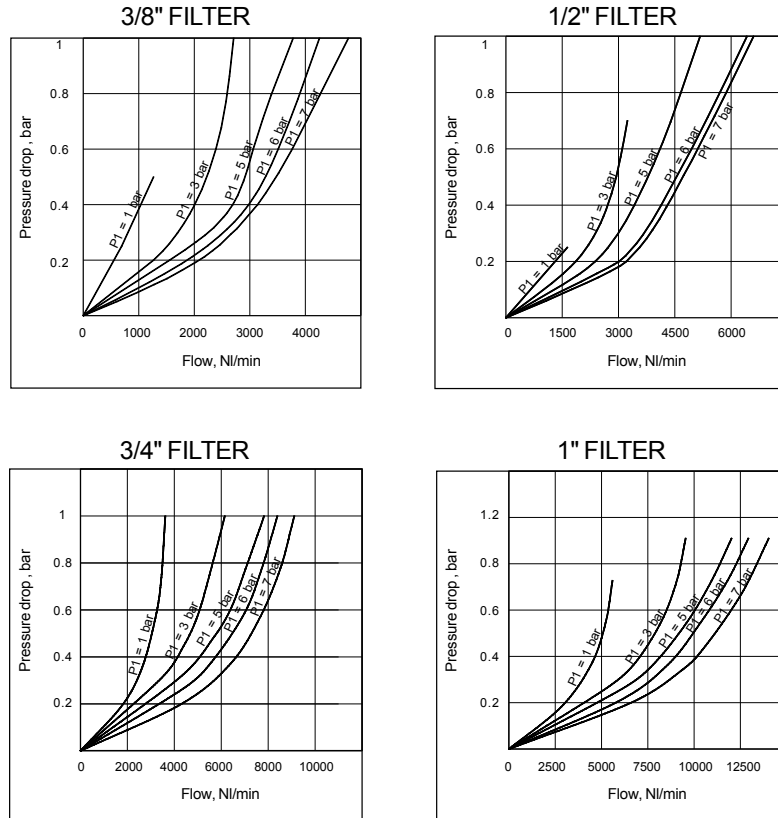
For Details of Clamp see optional accessories Cat No APA - 01 - C

# AIR PREPARATION UNITS

## FILTER WITH INTERNAL AUTODRAIN - Series F1A

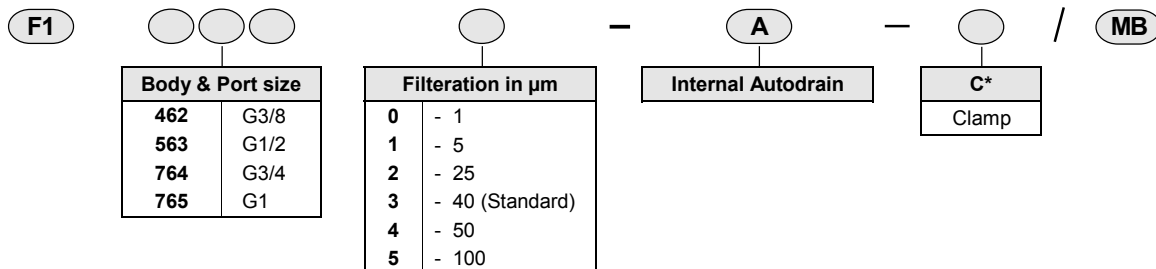
Cat No F1A - 01 - C

### Flow Graphs



Flow graphs are for 40µm filtrations only

### How to order



#### Ordering example

\* Filter with Internal Autodrain with Clamp :-  
Filter with Internal Autodrain - 3/8 size ( with G3/8 port ), 50µm filter with clamp : Ordering No: **F14624-A-C/MB**

Filter with Internal Autodrain without Clamp :-  
Filter with Internal Autodrain - 3/8 size ( with G3/8 port ), 50µm filter : Ordering No: **F14624-A/MB**

If ordered as 3/8 Filter with Internal Autodrain, our standard model F14623-A/MB, with 40µm filter will be supplied

Subject to change