

# MARSH®

## Pneumatic Gauges



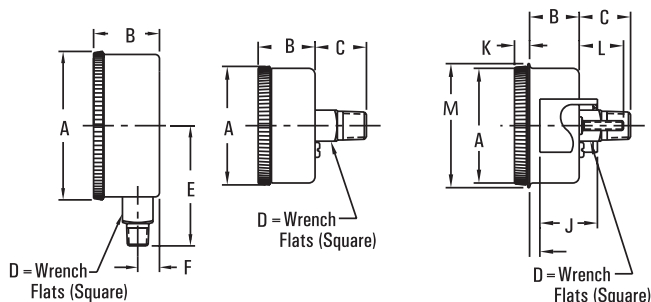
### Pneumatic Gauges

Marsh Instruments Pneumatic gauges are designed for industrial use and are suitable for gaseous and liquid media that will not obstruct the pressure system or attack the brass/bronze internals they are ideal for use in hydraulic and pneumatic systems where there is no vibration evident.

Typical applications include FRL's, Regulators, Compressors, Pumps and Water Systems

#### Specifications

Standards	Generally to En 837-1
Case Size	40mm / 50mm and 63mm
Construction	Brass internals see Table for case options
Entry	Bottom, Center Back
Connection	See Table
Range	See Table
Dial Standard	PSI / BAR Dual Scale options are available
Non Standard Dial	Options are available
Window	Push in Clear Acrylic
Temp specs	- 40 + 60 °C
Accuracy	2.50 %



Dial Size	A	B	C	D	E	F	J	K	L	M
40mm	40	26	18	11	38	7	26	5.5	16	47
50mm	50	29	21	14	50	9	30	5.5	22	57
63mm	63	30	25	14	55	9	32	5.5	22	70

- 40mm / 50mm / 63mm Available
- Dual Scale
- BSP-BSPT-NPT Connection

#### Pneumatic Gauges

↑	↑	↑	↑	↑	↑		Construction
<b>33</b>							All ST/ST
<b>93</b>							ST / ST
<b>99</b>							Steel
							Mounting
<b>1</b>							Bottom
<b>6</b>							Back
<b>8</b>							U Clamp
							Connection Size
<b>A</b>							1/4" BSP
<b>D</b>							1/4" NPT
<b>K</b>							1/8" BSPT
<b>W</b>							1/8" BSP
<b>Z</b>							1/8" NPT
<b>L</b>							1/4" BSPT
							Range PSI / BAR
							Special Range (High Pressure Available)
<b>00</b>							Vacuum
<b>18</b>							15 PSI / 1 BAR
<b>20</b>							30 PSI / 2 BAR
<b>21</b>							60 PSI / 4 BAR
<b>22</b>							100 PSI / 7 BAR
<b>23</b>							160 PSI / 11 BAR
<b>24</b>							200 PSI / 14 BAR
<b>25</b>							300 PSI / 20 BAR
							Case Diameter
<b>C</b>							40 mm / 1.5"
<b>D</b>							50 mm / 2"
<b>E</b>							63 mm / 2.5"
							Special Requirements
<b>G</b>							Glass Window
<b>R</b>							Restrictor Fitted
<b>RP</b>							Red Pointers
<b>1</b>							Special dial and logo
<b>BCL</b>							Bright Bezel

Some configurations may not be possible, please consult factory.



9 Castle Park Queens Drive, Nottingham NG2 1AH England  
 Tel: (44) 115 993 3300 e-mail: bellofram@aol.com  
 Fax: (44) 115 993 3301 www.marshbellofram.com